



P.O. Box 1460  
Baldwin Park, CA.91706-7460  
[www.hfcenterprises.com](http://www.hfcenterprises.com)  
t.626.337.2012  
f.626.962.4536

The logo for DuraFlange features the word 'DURA' in blue and 'FLANGE' in red, both in a bold, sans-serif font. To the left of the text is a white illustration of a flange with four bolts. Below the main text, the words 'ROUND and OVAL' are written in white on a black, rounded rectangular background. Underneath that, the text 'Equivalent to SMACNA T-25 RATING' is written in a smaller, black, sans-serif font.

**DURA FLANGE**  
**ROUND and OVAL**  
Equivalent to SMACNA T-25 RATING



**DuraFlange** is the newest, most innovative  
ROUND and OVAL Duct Connector

Years of development have made this product superior in  
weight, rigidity, ease of installation, and appearance.



## LIGHT WEIGHT & RIGID

The lightweight **DuraFlange** is constructed of 18gauge material; and, for additional rigidity, a formed wire rod has been incorporated into the outside perimeter of the flange, making it ideal for oval connections and larger flange sizes.



## EASY INSTALLATION

Designed with the end user in mind, the **DuraFlange** has many features to speed up the installation process. A pocket has been formed at the base of the flange to allow for the addition of caulking material. This pocket ensures an airtight seal from both the inside and outside of the connection. The **DuraFlange** connector is joined and installed with sheet metal screws. Starting holes have been punched in the flange to simplify the installation of the screws.

### DuraFlange sizes in stock

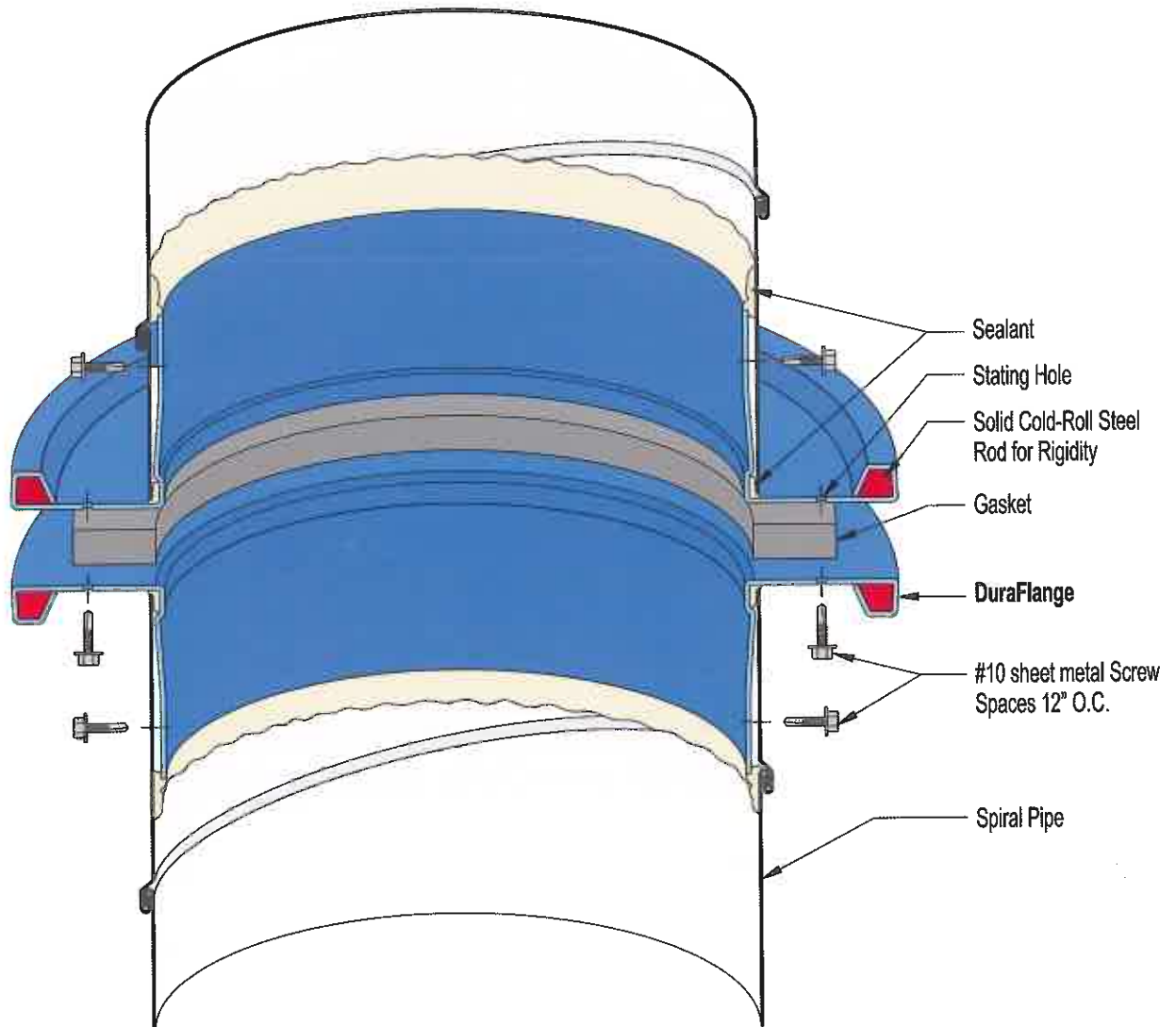
#### Round

10" to 20" - All Sizes  
22" to 120" - Even Sizes

#### Oval

Minor Axis 10" to 60" - Even Sizes  
Major Axis up to 120"

\*additional sizes available on request

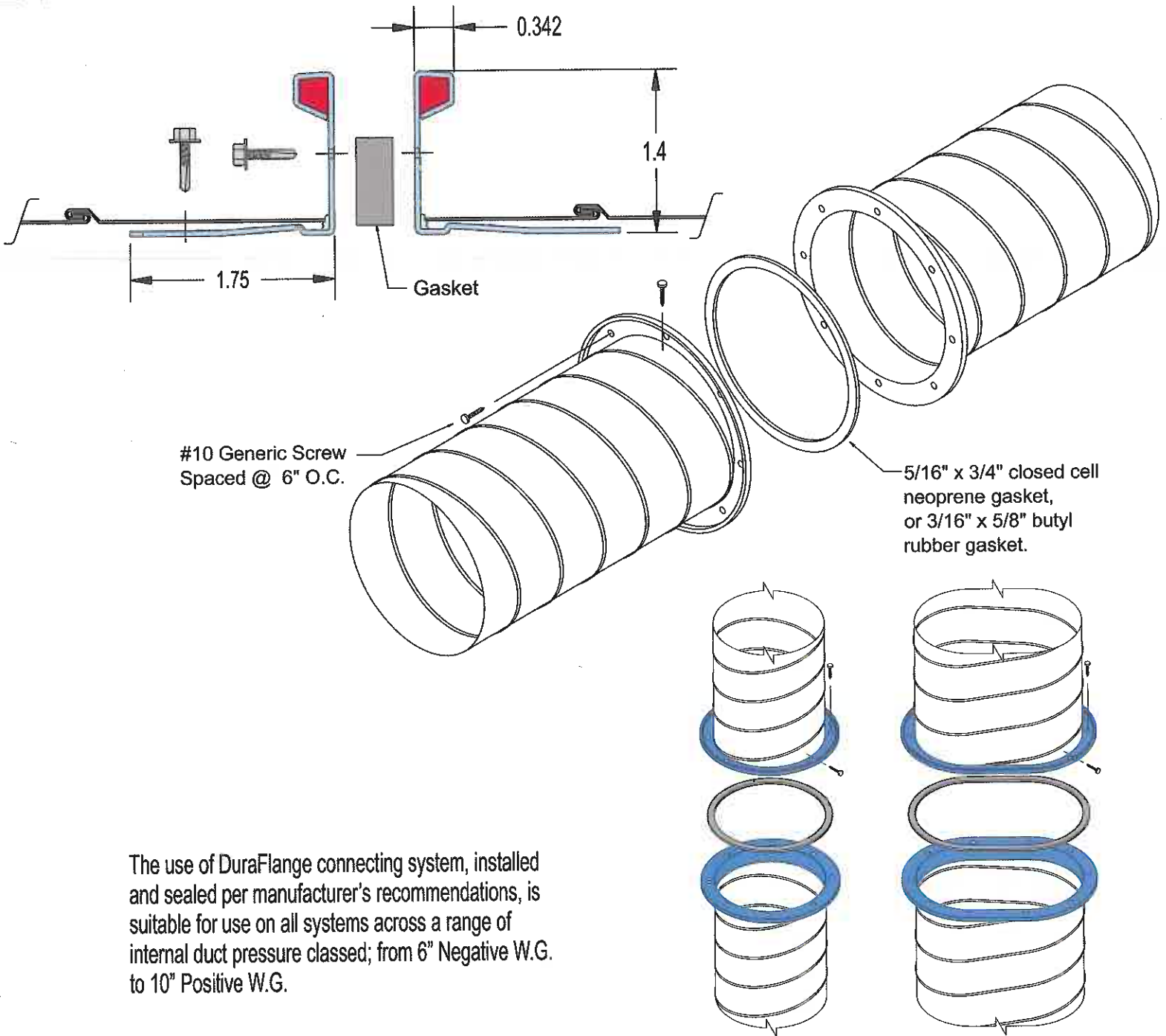


## SMACNA AND NEW PRODUCTS

Smacna encourages the use and development of new HVAC technology and components. While Smacna does not evaluate or endorse any proprietary products, they set guidelines and standards for products to meet.

DuraFlange is constructed of 18 gauge material. Has a profile similar to that of the T-25 connector, as referenced in SMACNA 1995 Edition, rendering it equivalent to SMACNA T-25 Reinforcement Rating.

## DURAFLANGE - SINGLE WALL

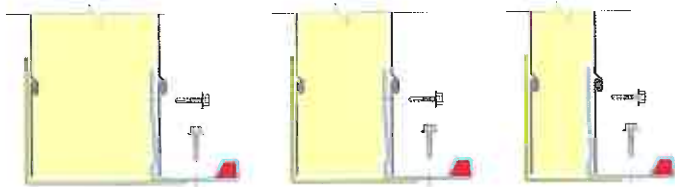
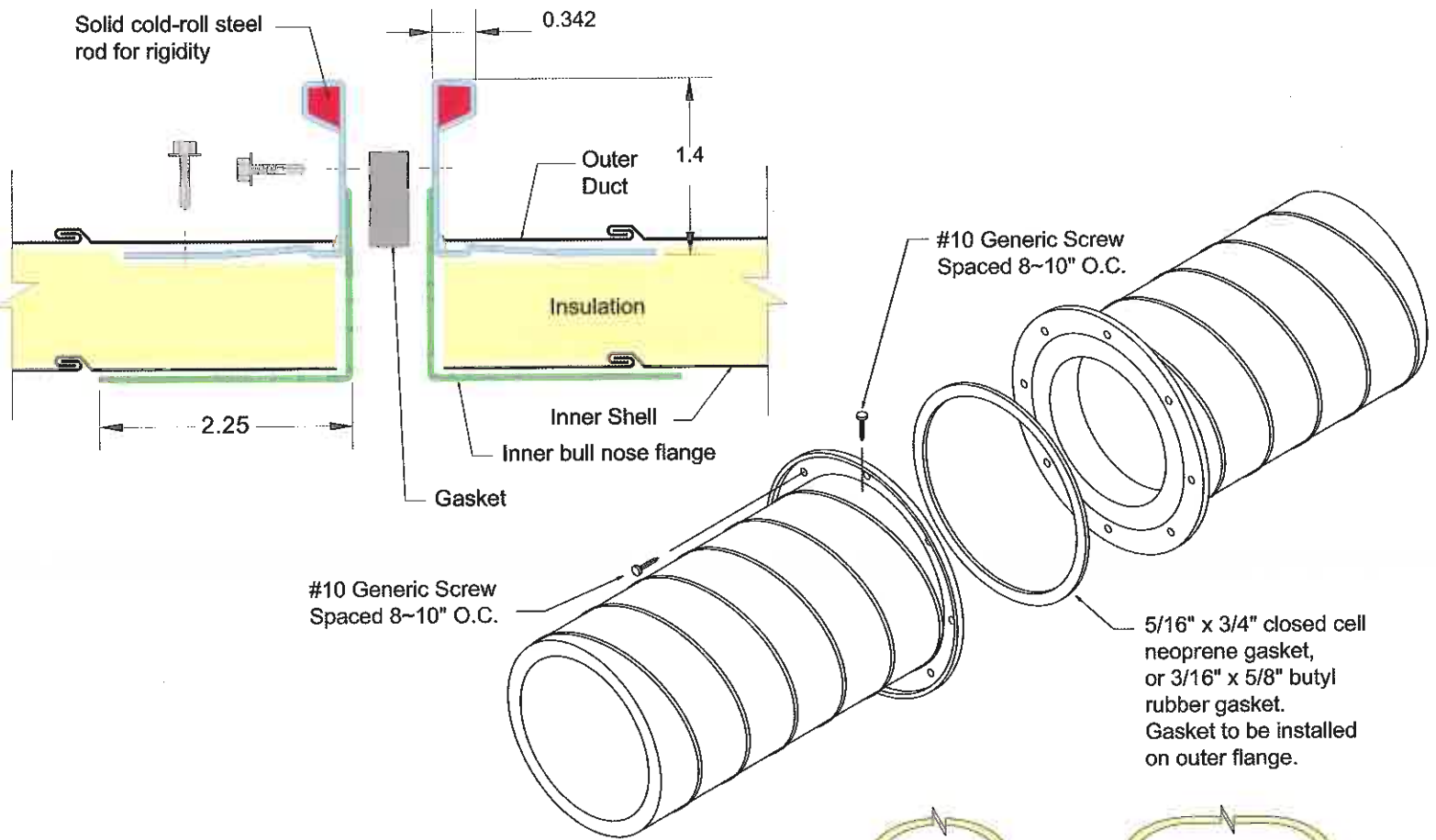


The use of DuraFlange connecting system, installed and sealed per manufacturer's recommendations, is suitable for use on all systems across a range of internal duct pressure classed; from 6" Negative W.G. to 10" Positive W.G.

ROUND AND OVAL SINGLE WALL APPLICATIONS

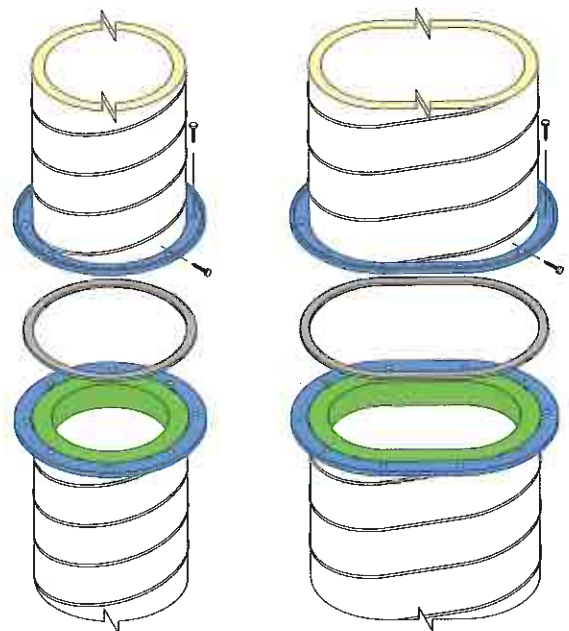


**DURAFLANGE · DOUBLE WALL**



DuraFlange Insulation Guard is constructed of 22 gauge material and is available for 1", 1 1/2", and 2" insulation.

The method of attachment for DuraFlange Insulation Guard may be either tac or spot welding.



**ROUND AND OVAL DOUBLE WALL OR INTERNALLY LINED APPLICATIONS**



Sheet metal Workers' International Association

DuraFlange © 2007 is made by HFC Enterprises.

Distributed by Oreco Duct Systems in the West Coast

T.626.337.2012 F.626.962.4536

www.hfcenterprises.com



# DURA FLANGE

By HFC Enterprises

The **DuraFlange** is the newest, most innovative ROUND and OVAL Duct Connector. Years of development have made this product superior in weight, rigidity, ease of installation, and appearance.

The lightweight **DuraFlange** is constructed of 18 gauge material; and, for additional rigidity, a formed wire rod has been incorporated into the outside perimeter of the flange, making it ideal for oval connections and larger flange sizes.

Designed with the end-user in mind, the **DuraFlange** has many features to speed up the installation process. A pocket has been formed at the base of the flange to allow for the addition of caulking material. This pocket ensures an airtight seal from both the inside and outside of the connection. The **DuraFlange** connector is installed and joined with sheet metal screws. Starting holes have been punched in the flange to simplify the installation of sheet metal screws.

**SMACNA** encourages the use and development of new HVAC technology and components. While **SMACNA** does not evaluate or endorse any proprietary products, they set guidelines and standards for products to meet. **DuraFlange** is constructed of 18 gauge material and its profile is similar to that of the T-25 connector in the **SMACNA** 1995 edition, Table 1-12, Figure 1-3. This is also equivalent to an **H Transverse Joint Reinforcement Rating**. **DuraFlange** has been tested to 20" WG Positive and 6" WG Negative with virtually no leakage or collapsing.

## DuraFlange is available in the following sizes:

### Round

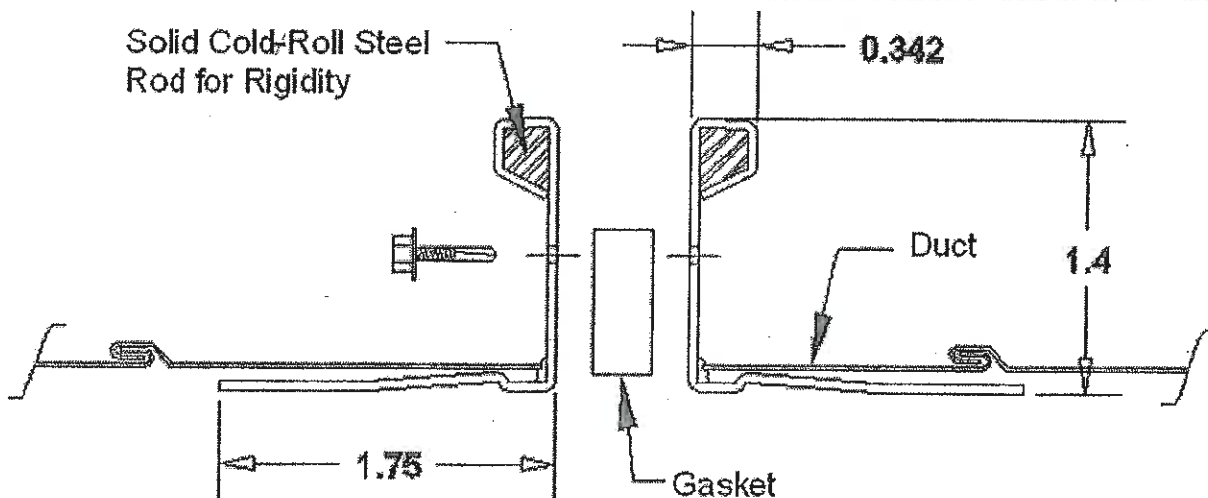
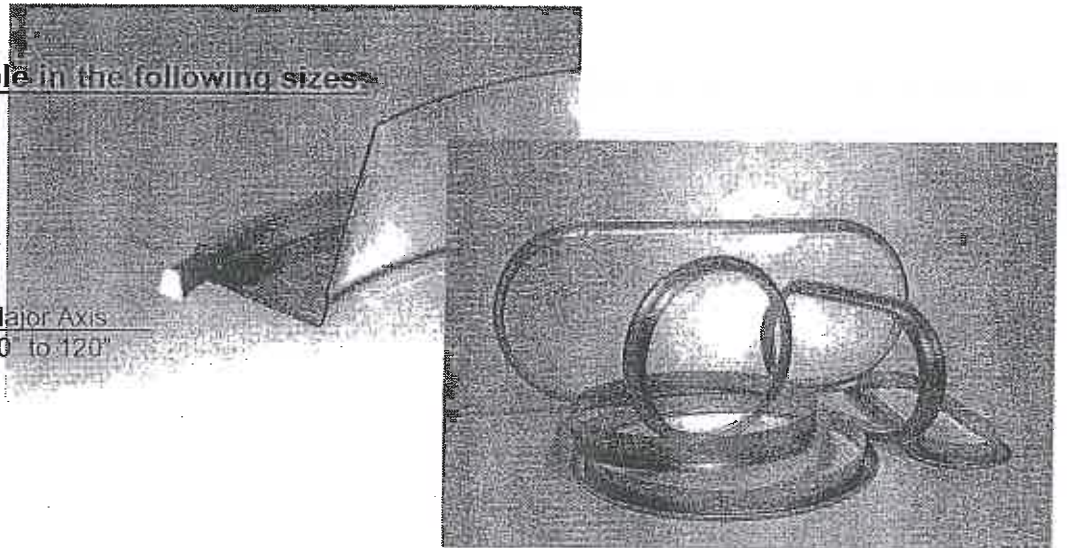
12" to 20" – All Sizes  
22" to 80" – Even Sizes

### Oval

|                        |             |
|------------------------|-------------|
| Minor Axis             | Major Axis  |
| 6" to 44" – Even Sizes | 20" to 120" |

### Dimensions

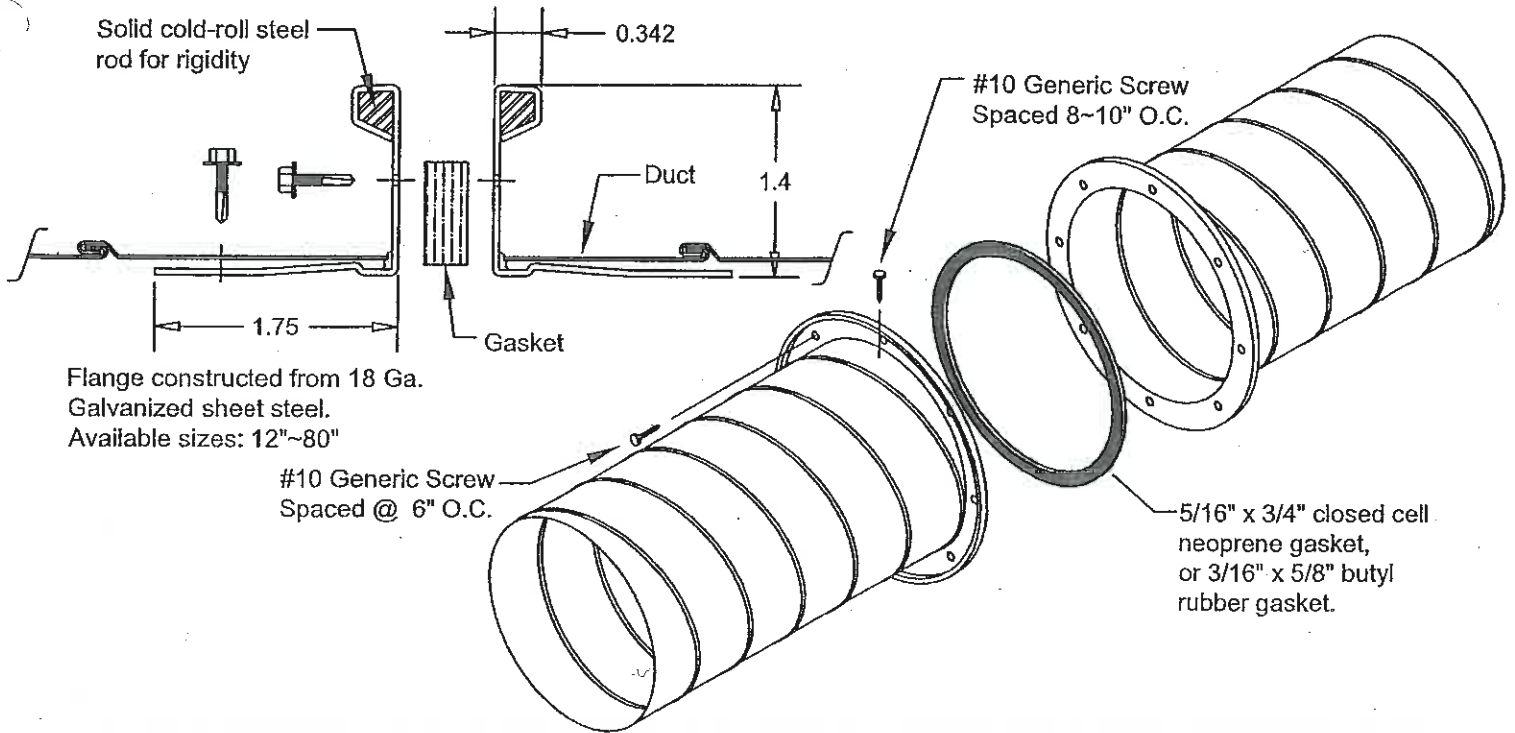
Leg Out: 1.4"  
2" Inside Duct





# DURAFLANGE - SINGLE WALL

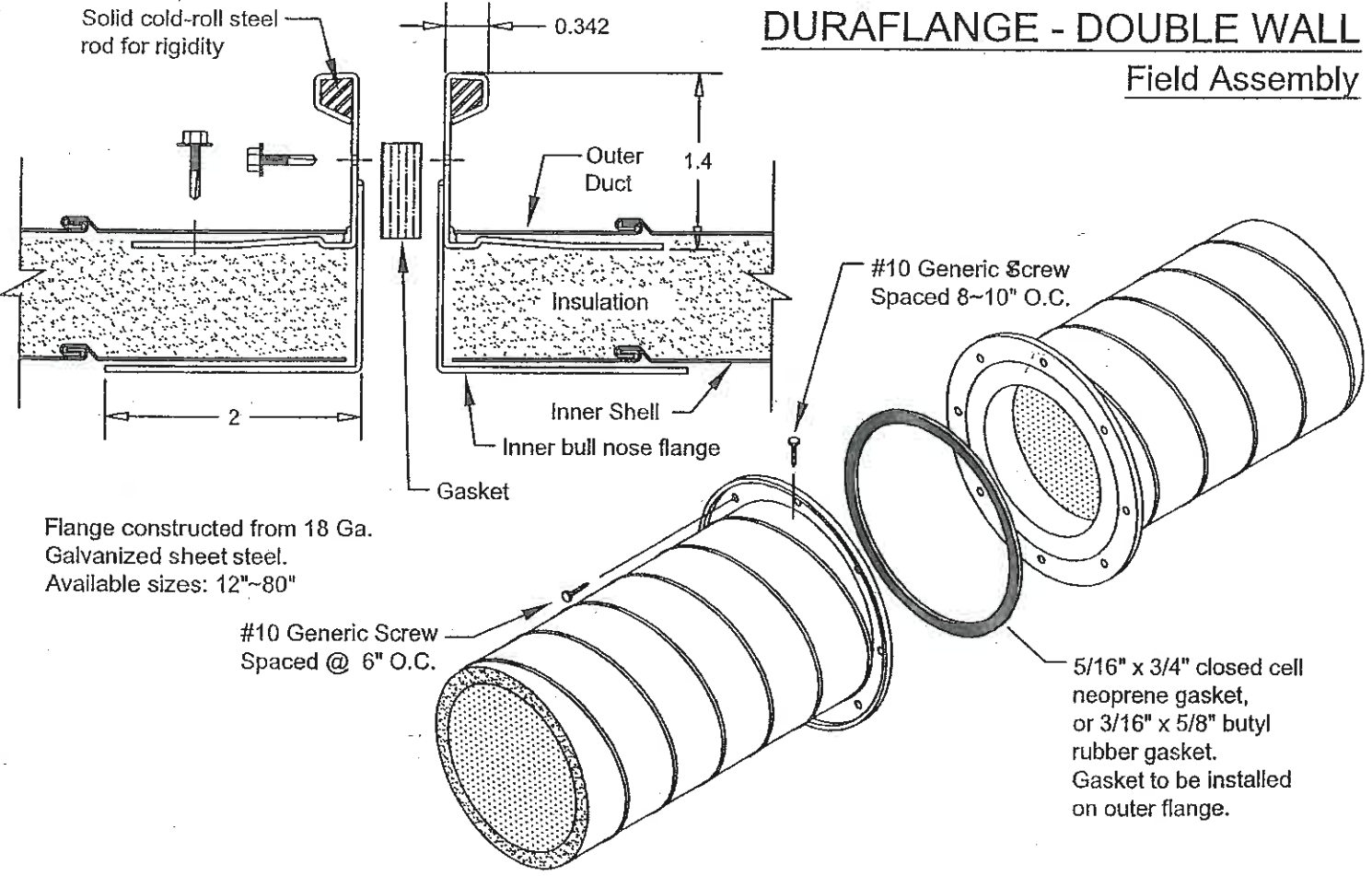
## Field Assembly

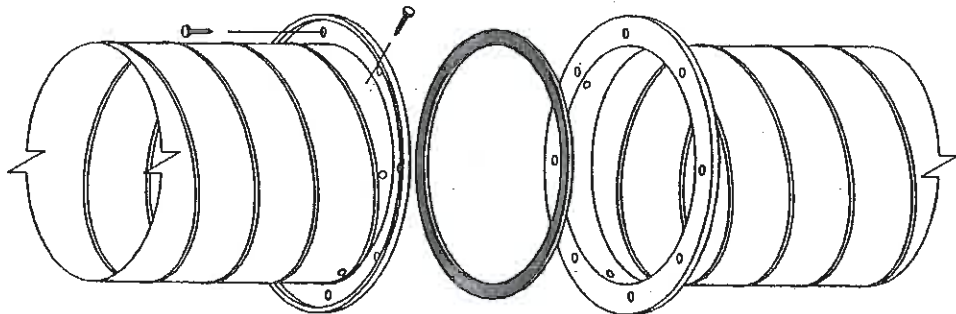
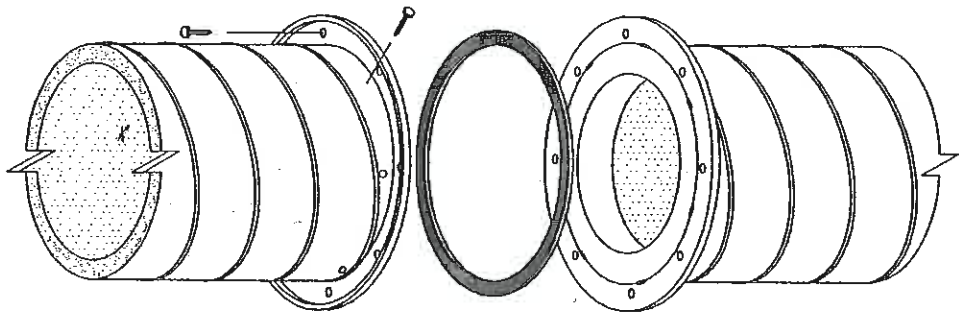
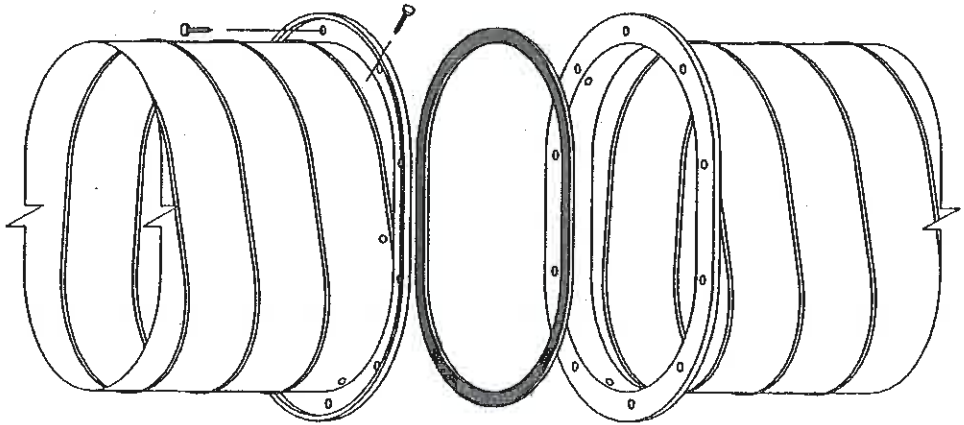
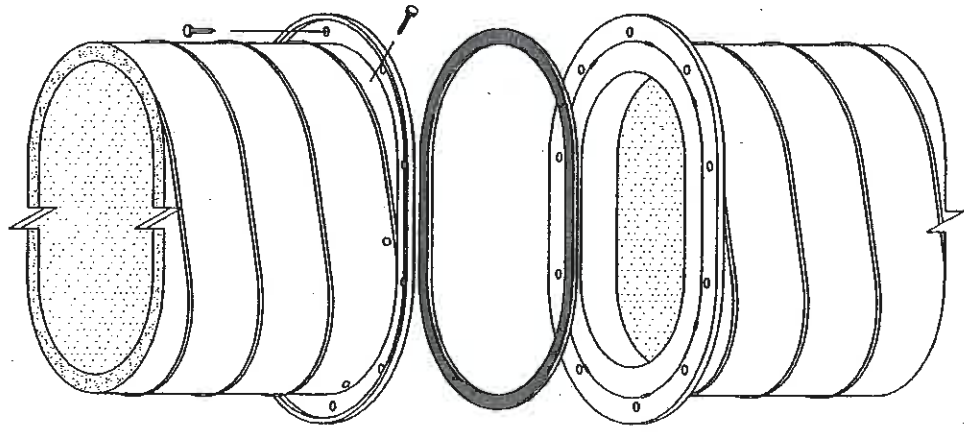


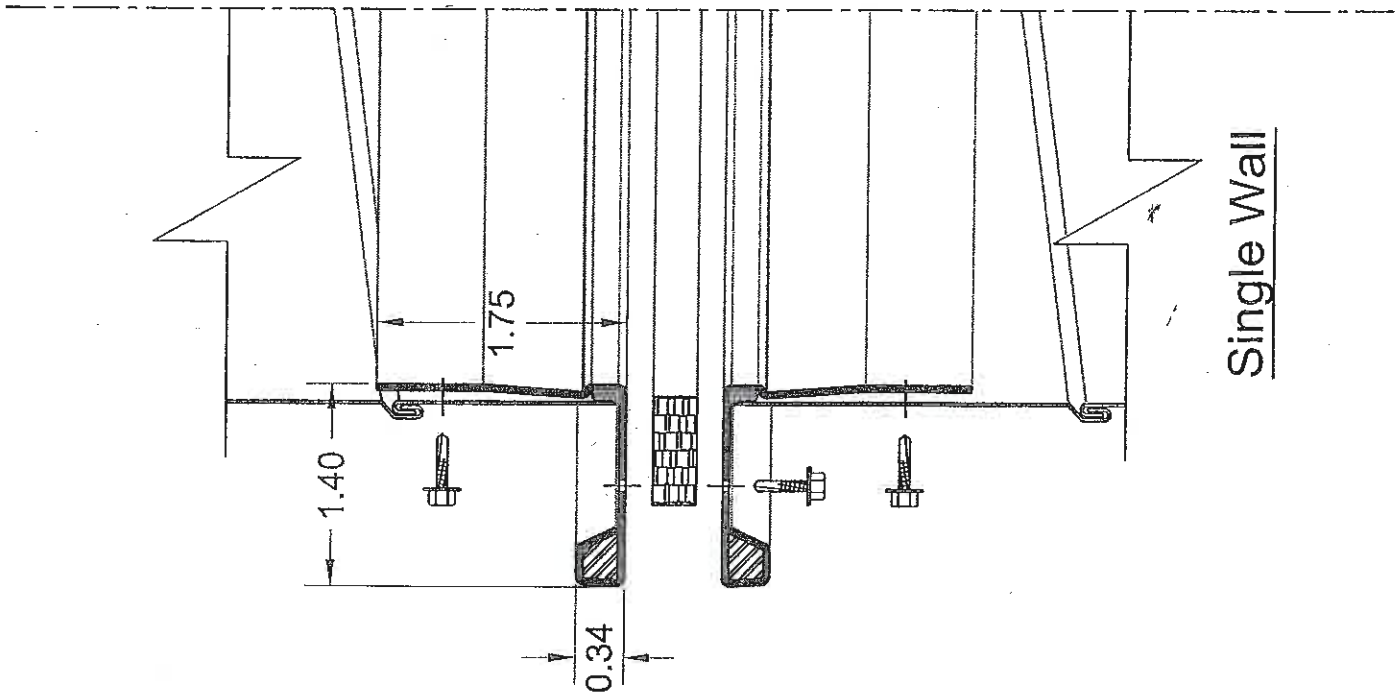
The use of the DuraFlange connecting system, installed and sealed per manufacturer's recommendations, is suitable for use on all systems across a range of internal duct pressure classes; From positive 10" S.P.W.G. to Negative 6" S.P.W.G.

# DURAFLANGE - DOUBLE WALL

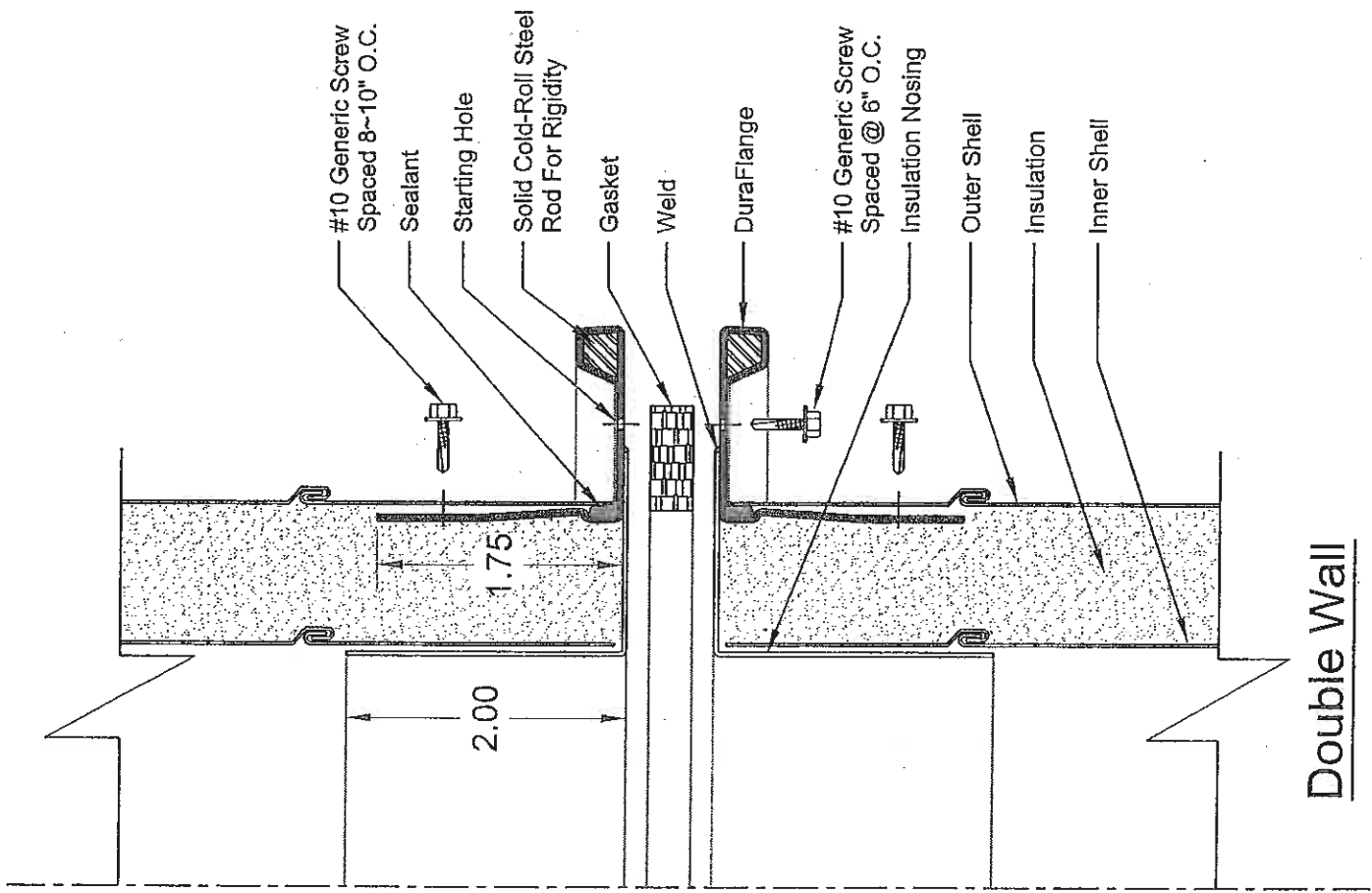
## Field Assembly







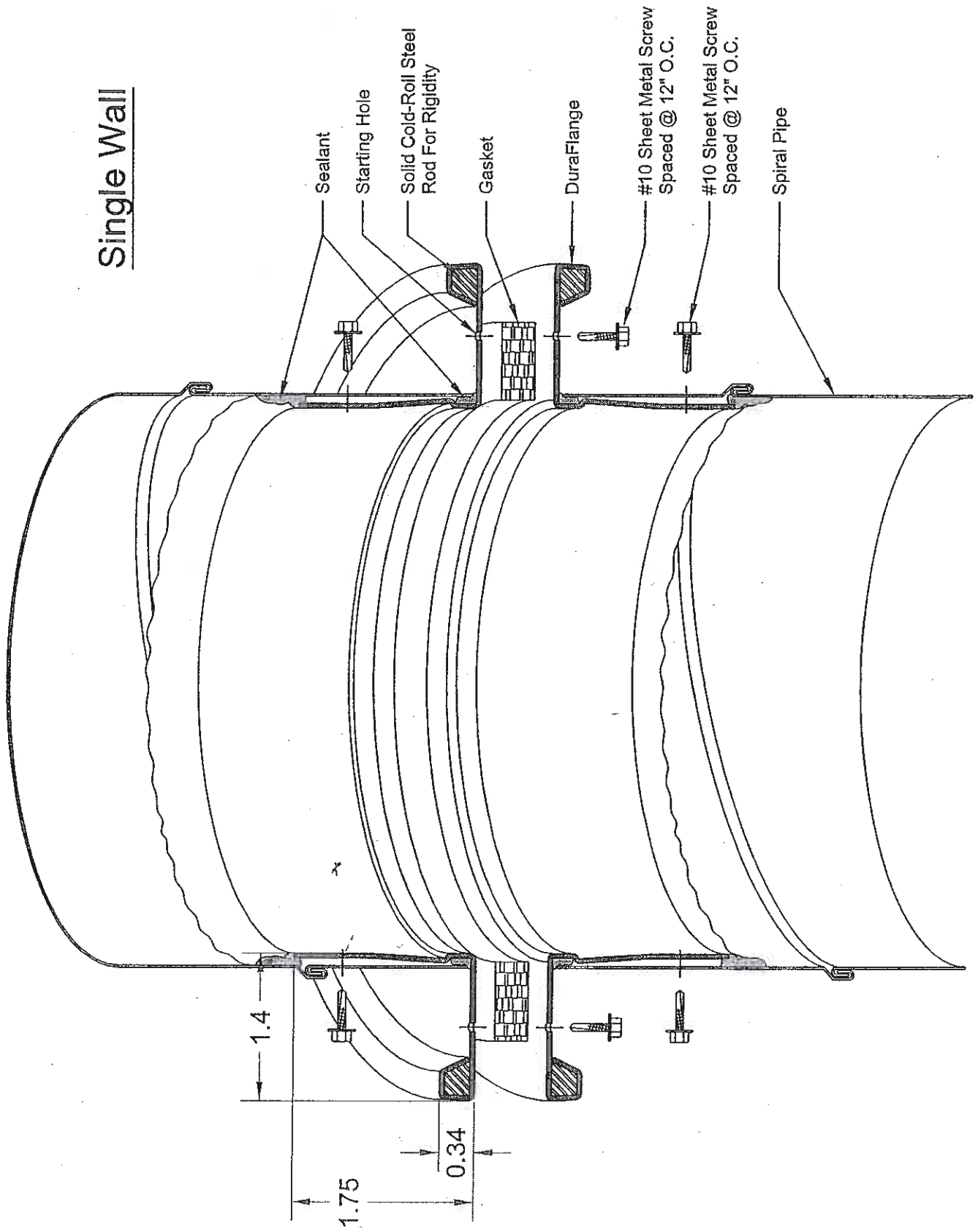
Single Wall



Double Wall



# Single Wall



# Double Wall

